

Globally Approved for Accuracy and Safety



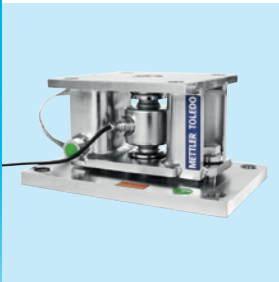
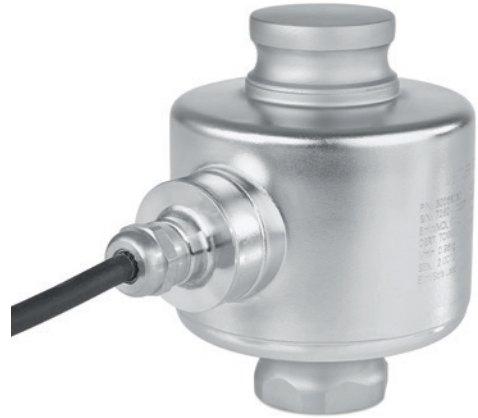
Tank Weighing

The SLC611 load cell with capacity range from 7.5t to 22.5t, allows the weighing of mid size tanks, hoppers and silos with ease. The stainless steel design, hermetic sealing and IP68 / IP69K protection provides the best reliability in tank weighing applications.



Hermetically Sealed

The stainless steel housing is welded in place to create a hermetic seal to prevent moisture from entering the interior of the load cell and deteriorating the weighing performance or causing failure.



SWC515 PinMount™

The weigh module SWC515 PinMount™ adds suspension, checking and anti-tipping to your SLC611 load cell and includes top and bottom mounting plates to simplify installation. Available in zinc plated mild steel or stainless steel.

SLC611 Load Cell

Every SLC611 load cell features:

- OIML 3000e, NTEP III M 5000d approvals
- ATEX Zone 0/1/2 and 20/21/22
- FM Class I,II,III Div 1/2 approved
- Stainless steel
- Hermetically sealed design
- IP68, IP69K protection class

The SLC611 is approved for use in various applications in Europe, Asia, America and almost everywhere else in the world. If an approval is required, the SLC611 probably already complies.

SLC611 Load Cell Specifications

Parameter	unit of measure	Specification			
Model No.		SLC611			
Rated Capacity (R.C.)	f (klb nominal)	7.5 (16.5)	15 (33)	22.5 (49.6)	
Rated Output	mV/V @ R.C.	2 ± 0.1%			
Zero load Output	%R.C.	≤ 1			
Combined Error ^{1), 2)}	%R.C.	≤ 0.018			
Repeatability Error	%A.L. ³⁾	≤ 0.01			
Creep, 30 minute	%A.L.	≤ 0.017			
Min. Dead Load Output Return (DR), 30 min	%A.L.	≤ 0.017			
Temperature Effect on	Min. Dead Load Output	%R.C./°C (.../°F)			
	Sensitivity ²⁾	%A.L./°C (.../°F)			
Temperature Range	Compensated	°C (°F)			
	Operating	-10 ~ +40 (-14 ~ +104)			
	Safe Storage	-40 ~ +65 (-40 ~ +149)			
OIML/European Approval ⁴⁾	OIML Cert. No.	R60/2000-CN1-14.10			
	European Cert. No.	TC8669			
	Class	C3			
	n _{max}	3000			
	Y	7800			
	PLC	0.7			
	Humidity Symbol	CH			
	Min. dead load	kg (lb)	0 (0)		
	Z		3000		
	Barometric Pressure Effect	Vmin/kPa	< 1		
NTEP Approval ⁴⁾	Number	15-011			
	Class	III M			
	n _{max}	5000			
	V _{min}	kg (lb)	0.96 (2.12)	1.92 (4.24) 2.88 (6.36)	
ATEX Approval ⁴⁾	Min. dead load	kg (lb)	0 (0)		
	Number	DEKRA 15ATEX0015 X			
	Rating	II 1 G Ex ia IIC T6...T4 Gc / II 1 D Ex ia IIIC T100°C Da			
	Entity Parameters	II 3 G Ex nA IIC T6...T4 Gc / II 3 G Ex ic IIC T6...T4 Gc / II 3 D Ex tc IIIC T100°C Dc			
Factory Mutual Approval ⁴⁾	Number, USA	3013511			
	Number, Canada	3028342C			
	Rating, USA	IS / I, II, III / 1 / ABCDEFG / T5			
	Rating, Canada	NI / I, II, III, / 2 / ABCDEFG / T6			
	Entity Parameters	IS / I, II, III / 1 / ABCDEFG / T5			
	Sys. Drawing No, USA	Vmax = 25V, Imax = 600mA, Pi = 1.25W, Ci = 4nF ⁴⁾ , Li = 20µH ⁴⁾			
	Sys. Drawing No, Canada	30105817			
	Recommended	V AC/DC	5 ~ 15		
	Excitation Voltage	Max.	20		
	Terminal Resistance	Excitation	Ω	1150 ± 50	
Output			1000 ± 2		
Insulation Resistance @50VDC	MΩ	> 5000			
Breakdown Voltage	V AC	> 500			
Material	Spring Element	stainless steel			
	Enclosure	304 stainless steel			
	Cable entry fitting	304 stainless steel			
	Cable	Polyurethane (PU) & FEP			
Protection	Type	welded			
	IP Rating	IP68, IP69K			
	NEMA Rating	NEMA 6/6P			
Load Limit	Safe	%R.C.	200		
	Ultimate		300		
Safe Dynamic Load		%R.C.	70		
Fatigue Life		cycles @R.C.	1000000		
Direction of Loading			compression		
Restoring Force ⁵⁾	%A.L./mm (.../in) ³⁾	2.4 (61)	3.4 (87)		
Max Horizontal Travel ⁶⁾	± mm (in)	8 (0.31)	7 (0.27)	5 (0.2)	
Deflection @ R.C., nominal	mm (in)		0.25 (.01)		
Weight, nominal	kg (lb)	1 (2.2)			
Cable	Length	m (ft)	12, 20 (39.4, 65.6)		
	Diameter	mm (in)	5.2 (0.20)		
Drawing No.	Dimensions	30220610			
	To-Scale	30220594			

¹⁾ Error due to the combined effect of non-linearity and hysteresis

²⁾ Typical values only. The sum of errors due to Combined Error and Temperature Effect on Sensitivity comply with the requirements of OIML R60 and NIST HB44.

³⁾ A.L. = Applied Load

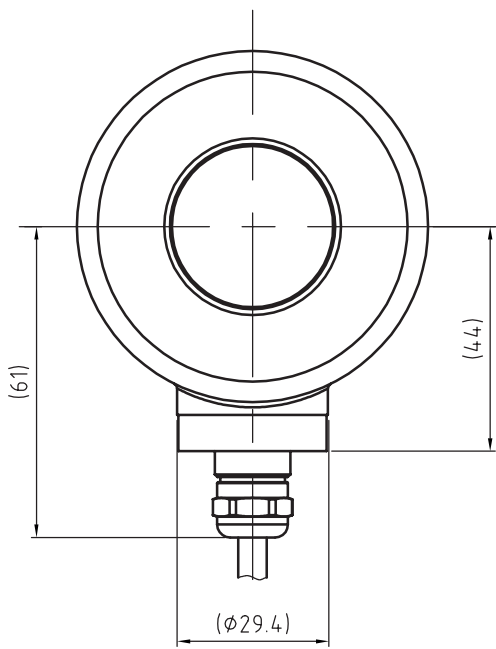
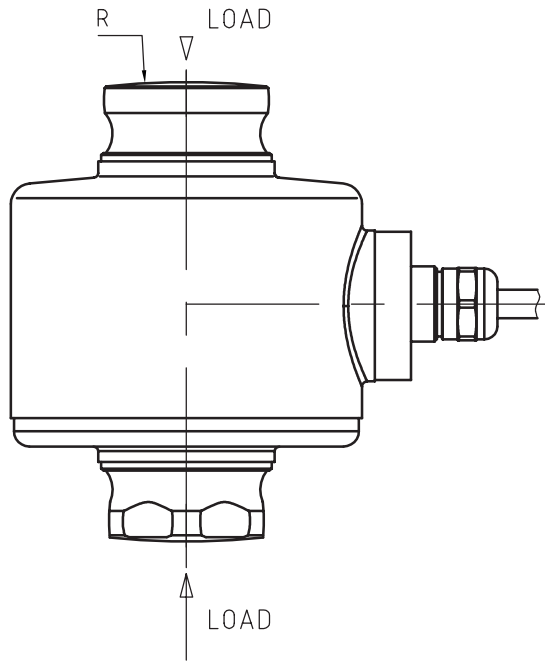
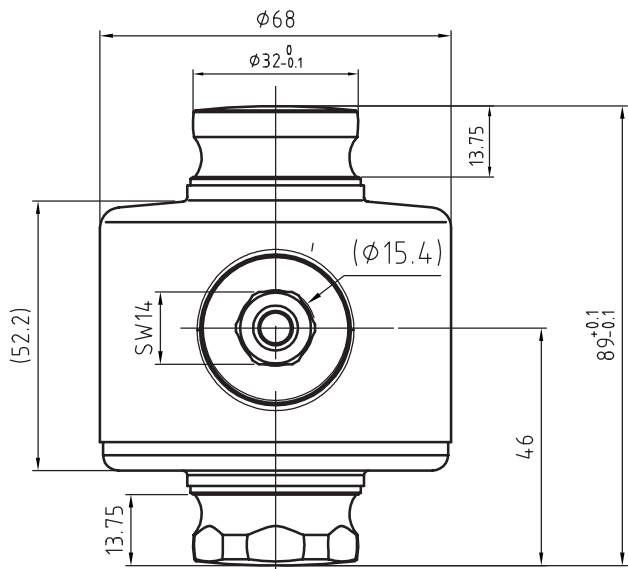
⁴⁾ See certificate for complete information

⁵⁾ % of Applied Load (A.L.) per mm (in) displacement of the top button relative to the bottom button

⁶⁾ Maximum horizontal displacement of the top button relative to the bottom button



SLC611 Load Cell Dimensions mm



Capacity	R	Max horiz. travel
7.5t	140	8
15t		7
22.5t	180	5

SLC611 Load Cell Order Information

Order Information		Item No.			
		Cable, Material / Length			
		PU / 12 m (39.4ft)	PU / 20 m (65.6ft)	FEP / 12 m (39.4ft)	FEP / 20 m (65.6ft)
7.5 t / 16.5 klb	C3/III M n:5	30058060	30058064	30105781	30105786
15 t / 33 klb	C3/III M n:5	30058061	30058065	30105783	30105788
22.5 t / 49.6 klb	C3/III M n:5	30058062	30058066	30105784	30105789

Bolded entries are stocked

SLC611 Load Cell Cable Colors

Colour	Function
Green	+ Excitation
Black	- Excitation
White	+ Signal
Red	- Signal
Yellow	Shield

Global Approvals

The SLC611 is provided with all listed approvals. No need to think about options and additional charges. Simplifies the conduct of global business, order processing and service-part stocking.

Full Connectivity

METTLER TOLEDO supplies various data communication interfaces that enable our sensors and instruments to communicate with your PLC, MES, or ERP systems.



Weighing Electronics

METTLER TOLEDO offers a complete family of electronics from simple weighing to application solutions for filling, stock control, batching, formulation, counting, and checkweighing.

METTLER TOLEDO Service

Our extensive service network is among the best in the world and ensures maximum availability and service life of your product.



Quality certificate ISO 9001
Environment certificate ISO 14001

Subject to technical changes.
© 05/2015 Mettler-Toledo AG
Printed in Switzerland MTSI 30242848
MarCom Industrial

www.mt.com

Visit for more information