

Easy to Use – Reliable – Robust BBA231-W Heavy-Duty Mobile Scale



Highly Visible Display

For excellent readability under any light condition, the BBA231-W features a large, 60mm high LCD display with an adjustable white backlight.



Simple Mobility

The BBA231-W is a fully mobile solution. The robust cart with its swivel caster wheels is easy and simple to steer and control, providing smooth transportability throughout the plant.



Secure Steering

The solid carbon-steel constructed cart is very robust and capable of transporting loads up to 600 kg (1,200 lb). The integrated wheel breaks offer additional security during the weighing process and parking.



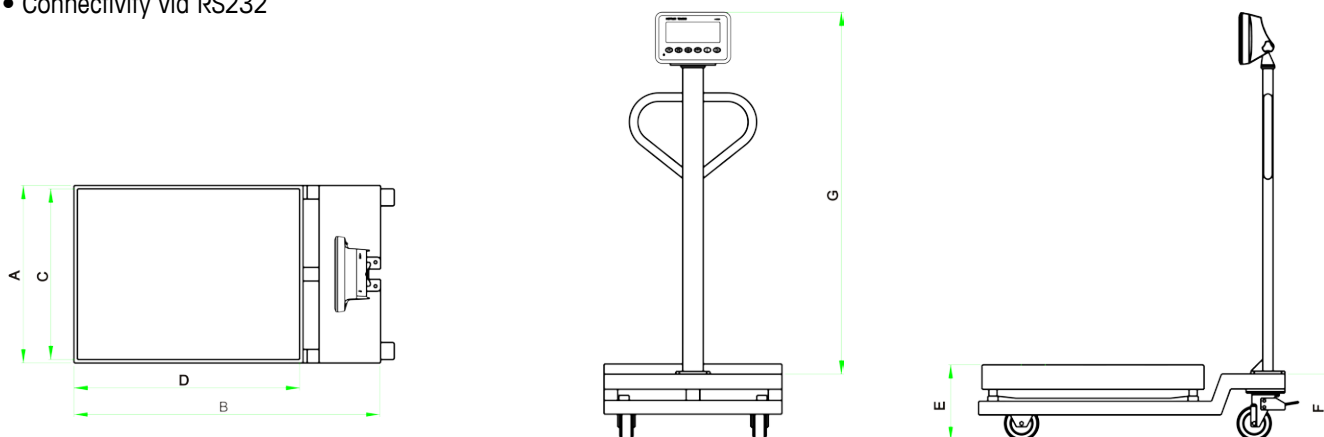
The BBA231-W is a mobile scale for your daily use in dry areas, such as the receiving department or warehouse. It is the perfect solution when smooth mobile weighing throughout different areas of a facility is a must.

The NTEP and OIML approved, battery powered terminal with its large easy-to-read display is fast and easy to operate. Functions including simple weighing, counting, over/under checkweighing, accumulation and animal weighing are all operated using its 5 standard key (On/Off, Zero, Tare, Clear, Print). As the first of its class, the BBA231-W features two free definable function keys (F1 and F2). These allow for fast and easy switching between the different functions.

The NTEP and OIML approved platforms deliver accurate and stable weighing results. Six well positioned and adjustable overload stops ensure the best possible load cell protection.

Features

- Capacities of 300kg/600lb and 600kg/1'200lb available
- Platform Sizes 500 x 650 mm / 20" x 26" and 600 x 800 mm/24" x 32" available
- Large and bright 60 mm/2.36" LCD Display
- 6 overload stops for best possible load cell protection
- Open construction – no dirt traps
- Rugged and durable construction
- Simple to operate multifunctional terminal
- Connectivity via RS232



Model	A		B		C		D		E		F		G	
	mm	inch	mm	inch	mm	inch	mm	inch	mm	inch	mm	inch	mm	inch
BBA231-3BC300W	520	20.5"	897	35.3"	500	19.7"	700	27.5"	225	8.8"	195	7.7"	1050	41.3"
BBA231-3CC600W	620	24.4"	1047	41.2"	600	23.6"	800	31.5"	248	9.8"	195	7.7"	1050	41.3"

Model	BBA231-3BC300W	BBA231-3CC600W
Maximum Weighing Capacity	300kg / 600lb	600kg / 1200lb
Resolution typ.	15'000d	15'000d
Platform Size	500 x 650mm / 20" x 26"	600x800mm / 24" x 32"
Data Interface	RS 232	
Total Heights	1245mm / 49"	
Ingress Protection	IP54	
Display	7-digit, 7-segment LCD Display, height 60mm / 2.36"	
Power Supply	85... 264 VAC	
Battery	6 AA Cells	

	Material
Cart & Stand	Carbon Steel
Platform Frame	Painted Carbon Steel
Load Plate	Brushed Stainless Steel
Terminal	Plastic



Mettler-Toledo Inc.
 1900 Polaris Parkway
 Columbus, OH, 43240
 Tel. (1) 800 523 5123

Subject to technical changes
 © 04/2013 Mettler-Toledo LLC.
 MTSI 30087484

www.mt.com/BBA231

For more information