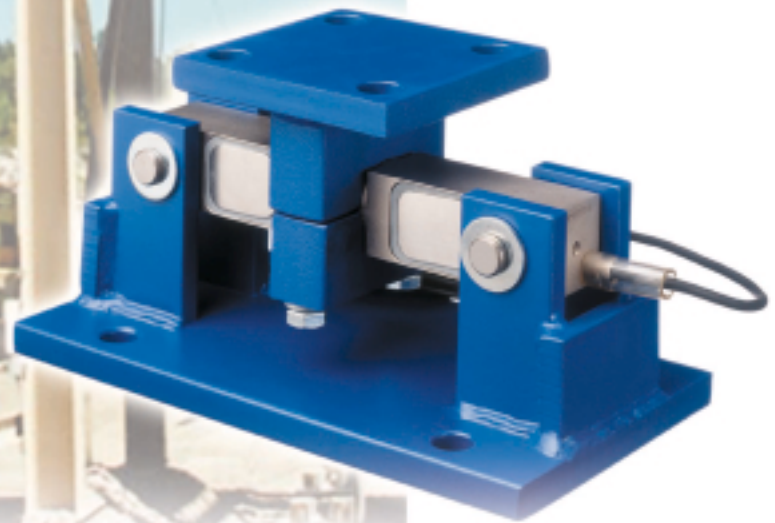




VLM3 Value Line

Load Cell

Weigh Module



**For General Purpose Weighing Of
Tanks, Hoppers, OEM Machinery**

METTLER TOLEDO





Dual Ended Beam Load Cell with Fixed Yoke Suspension

- Rugged self-checking design
- Mounting hardware allows for thermal expansion and contraction
- NEMA 4X stainless steel analog summing box with trim pots standard
- Factory Mutual Entity Approval

Capacities

1000 lb	25000 lb
2000 lb	35000 lb
5000 lb	50000 lb
10000 lb	75000 lb
15000 lb	

The VLM3 Value Line weigh modules offer good value for general purpose tank, hopper, and OEM weighing applications.

The VLM3 weigh modules incorporate a proven dual ended beam load cell and are available in 1,000 lb through 75,000 lb capacities. The rugged self-checking module design allows for thermal expansion and contraction of vessels due to sunlight exposure or internal vessel reactions.

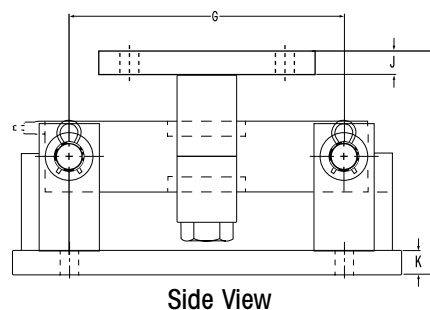
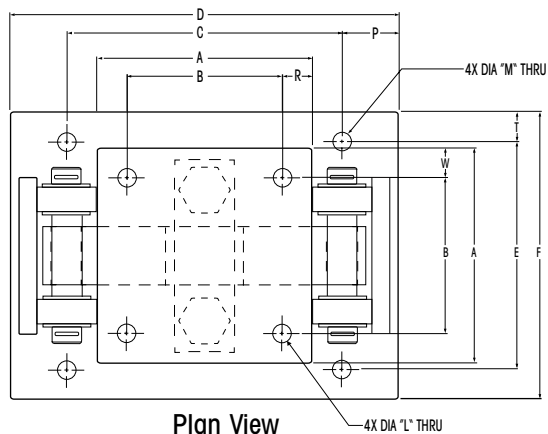
Hazardous Area Approval

VLM3 load cells have Factory Mutual Entity Approval for use in hazardous areas.

ISO 9000

This product was produced in a METTLER TOLEDO facility that has been audited and registered according to international (ISO 9001) quality standards.

For questions on VLM3 weigh modules and technical matters, call your nearby METTLER TOLEDO office or authorized distributor. Or visit our website: www.mt.com to find the location of the nearest METTLER TOLEDO sales representative or distributor.



	A	B	C	D	E	F	G	H	J	K	L	M	P	R	T	W
1-5K	4.00	2.75	6.25	9.25	3.75	5.00	6.25	5.13	0.50	0.50	0.56	0.56	1.50	0.62	0.62	0.62
10-35K	8.00	6.00	7.50	12.00	6.00	8.00	7.50	7.9	0.75	0.75	0.81	0.81	2.25	1.00	1.00	1.00
50-75K	9.00	6.50	11.50	16.25	9.50	12.00	11.50	9.30	1.00	1.00	0.81	0.81	2.38	1.25	1.25	1.25

Dimensions



Produced in a facility that is



	TEL	FAX	TEL	FAX	
METTLER TOLEDO	Australia (61-3) 9644 5700	(61-3) 9645 3935	Kazakhstan (7-3272) 50 63 69	(7-3272) 60 88 35	Internet www.mt.com
USA and Canada 1900 Polaris Parkway Columbus, Ohio 43240	Austria (43-1) 604 1980	(43-1) 604 2880	Korea (82-2) 518-2004	(82-2) 518-0813	
TEL. (800) 786-0038 (614) 438-4511	Belgium (32-2) 334 0211	(32-2) 378 1665	Malaysia (603) 7041773	(603) 7031772	Specifications subject to change without notice.
FAX (614) 438-4900	Brazil (55-11) 421 5737	(55-11) 7295-1692	Mexico (52-5) 547 5700	(52-5) 541 2228	© 2001 Mettler-Toledo, Inc.
Headquarters 8606 Greifensee Switzerland	China (Industrial) (86-519) 6642040	(86-519) 6641991	Netherlands (31-344) 638363	(31-344) 638390	Printed in USA.
TEL. (41-1) 944 22 11 FAX (41-1) 944 30 60	China (Systems) (86-21) 6485-0435	(86-21) 6485-3351	Norway (47-22) 30 44 90	(47-22) 32 70 02	5M0302 Tank Hopper I01TH03361.OE
	Croatia (385-1) 23 36 317	(385-1) 23 04 147*	Poland (48-22) 651 9232	(48-22) 651-7172	
	Czech Republic (420-2) 254962	(420-2) 24247583	Russia (7-095) 921 9211	(7-095) 921 6353	
	Denmark (45-43) 27 08 00	(45-43) 27 08 28	Singapore (65) 8900011	(65) 8900012	
	France (33-1) 30 97 17 17	(33-1) 30 97 16 16	Slovak Republic (421-7) 43 42 74 96	(421-7) 43 33 71 90	
	Germany (49-641) 50 70	(49-641) 52951	Slovenia (386-61) 162 1801	(386-61) 162 1789*	
	Hong Kong (852) 27441221	(852) 27446878	Spain (34-93) 223 2222	(34-93) 223 0271	
	Hungary (36-1) 257 9889	(36-1) 256 2175	Sweden (46-8) 702 50 00	(46-8) 642 45 62	
	India (91-22) 857-0808	(91-22) 857-5071	Switzerland (41-1) 944 45 45	(41-1) 944 45 10	
	Italy (39-02) 333321	(39-02) 356-2973	Taiwan (886-2) 2579-5955	(886-2) 2579-5977	
	Japan (81-6) 6949-5901	(81-6) 6949-5944	Thailand (66-2) 719 6480	(66-2) 719 6479	
			United Kingdom (44-116) 235 7070	(44-116) 236 6399	

*Call for fax.